

Boost Your Cell Signal in Your Home or Office



460102_SS_3-07-14_R33

DT4G™ - Indoor 4G cellular signal booster kit for multiple rooms

The Wilson Electronics DT4G™ cellular signal booster improves coverage – including 4G, 3G, and 2G data downloads – for subscribers of all U.S. cellular networks (except Clearwire). For specific information about frequency bands, see below.

The DT4G is designed to amplify cellular signals for multiple rooms inside your home or office. The DT4G provides reliable voice and data coverage inside today's energy efficient but cellular unfriendly buildings.

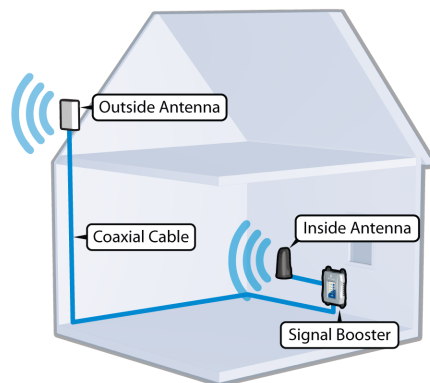
The DT4G supports multiple simultaneous connections, and works with all cellular devices. Everything you need is in the box, so you can set it up yourself in minutes. As a result, you'll see significantly fewer dropped calls and lost connections; faster data downloads on 4G and legacy networks, and a stronger, more reliable cell signal. The DT4G has an MSRP of \$399.99.

BENEFITS

- Stronger cell signal indoors
- Fewer dropped calls & lost connections
- Faster data downloads
- Clearer voice calls
- Longer battery life for cellular devices

FEATURES

- FCC certified to 2014 technical specs
- Boosts signal – including 4G – for all major U.S. cell carriers (except Clearwire®)
- U.S.-based tech support & customer service
- All needed components included in package
- DIY installation



460101		
FREQUENCY	BAND 17	700 MHz
	BAND 13	700 MHz
	BAND 5	850 MHz
	BAND 4	1700/2100 MHz
	BAND 25	1900 MHz
MAX GAIN	60 dB	
POWER REQUIREMENTS	110-240 V AC, 50-60 Hz, 8 W	
CONNECTORS	SMA-Female (inside antenna) / F-Female (outside antenna)	
DIMENSIONS	4.5 x 6.44 x 1.19 in / 11.43 x 16.35 x 3.02 cm	
WEIGHT	0.4 lbs / 0.18 kg	

